

- DIGITAL ACOUSTICALLY TRIGGERED DOOR HOLDER
- LEARNS THE SOUND OF YOUR FIRE ALARM
- EASY, WIRE FREE INSTALLATION AND PROGRAMMING
- DAILY TIMED RELEASE OPTION
- 200 N HOLDING FORCE
- TWO ALKALINE C CELL BATTERIES
- APPROVED TO EN1155 AND CE MARKED



The Agrippa door holder learns the sound of your specific fire alarm, releasing the door in the event of a fire.

This new innovation in the industry is also wire free, so it can easily be retrofitted to any door. The releasing trigger reacts to a particular sound rather than simply a loud noise, significantly reducing false activations.

The holder is easy to install, only requires C cell batteries (which last for 12 months) and can be programmed for daily release. Suitable for installation to BS 7273-4 category B.

Other features include a seven segment LED display, manual release button and a low battery warning display.

Ideally suited to environments such as care homes, schools and hospitals where it is essential to have doors in an open position at certain times of the day to aid access, but equally as important to ensure the doors are closed in the event of a fire.

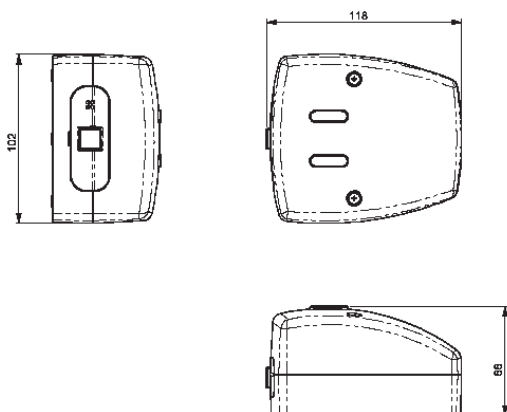
The holder is part of the Agrippa suite of products, which also includes an acoustically triggered fire door closer.

TECHNICAL INFORMATION

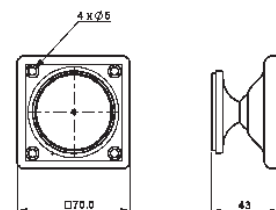
Holding force	200 N
Power size	5
Default setting	65dBA, 1.2 - 3.0 kHz
Preferred sounder	Continuous tone *
Dimensions	L-118 x W-102 x D-66
Standard finish	White
Other available finishes	Polished brass
Part number	3-80-0062

* Not suitable for voice alarm systems

Part Number : 3-80-0060



Keeper Plate





Agrippa sound activated fire door holder

The Agrippa fire door holder can be fitted to safely and legally hold open fire doors. In the event of the fire alarm sounding, the Agrippa releases the door to prevent the spread of smoke and flames throughout the building. The device is fitted to the top of the door and wall, protecting both the floor and door from damage.

How does it work?

1



The Agrippa door holder is battery powered and wire-free. The device is installed at the top of the door.

2



Using 'listen and learn' technology, the device learns the sound of the building's fire alarm.

3



The Agrippa door holder recognises the fire alarm and automatically releases the door, protecting the building.

Features

- Battery powered and wire-free
- LED display and low battery warning
- Daily timed release option to close the fire door at night
- Red button on unit to manually close the fire door
- Listens and learns the sound of the fire alarm

Benefits

- Recognised by UK Fire and Rescue Services and the London Fire Brigade
- Hygienically and discreetly installed at the top of the door
- No floor or door damage- A permanent magnet holds the door open at the top
- Fail safe, closing the door upon battery failure
- Eases access and improves ventilation
- Manufactured in the UK with UK customer service
- Can be fitted anywhere on the door
- Quick installation and easy maintenance
- 12 month warranty

Technical specification

- Battery operated (includes two C-cell batteries)
- L-118mm x W-102mm x D-66mm
- 200N holding force
- Conforms to EN1155
- CE marked through the Construction Products Regulation
- EMC approved

Decorative finishes available



Step by step
installation
videos
available on
YouTube!